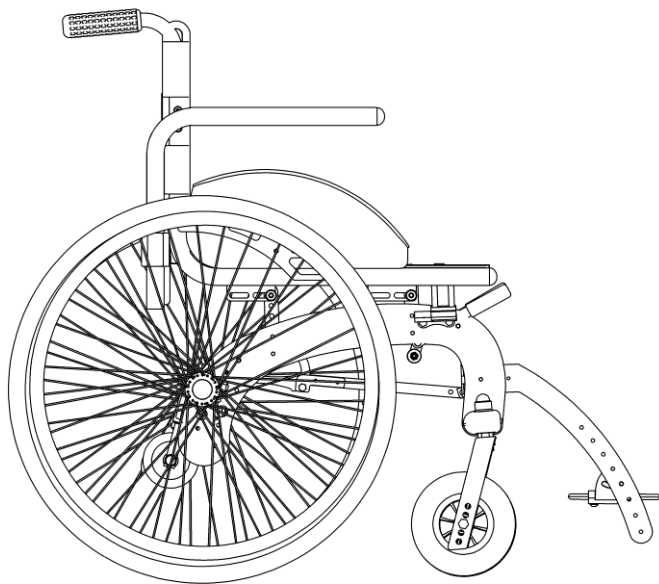


LEVIA



USER MANUAL

With CE Mark Statement

DECLARATION OF CONFORMITY



The manufacturer

Neatech.it

4/A, A. De Curtis St. 80040 Cercola (NA) Italy

Under its responsibility, states that

the wheelchair Levia

satisfies the conditions laid down by European Directive 93/42;
according to the criteria for classification of annex IX of this Directive, the Levia is
classified as

class I medical device

It also complies with the requirements of the harmonized standards

UNI EN 12182 Ausili tecnici per persone disabili

UNI EN 12183 Sedie a rotelle a propulsione manuale

TABLE OF CONTENTS

Thank you for choosing our product.....	1
The aeronautical technology, used to manufacture all Neatech.it products, made possible to create rigid and foldable frame highly customizable and reliable.	1
Frame and canvas are available in different colors.	1
Checks to be made on delivery.....	2
Specifications	15



TEMPERATURE

The temperature of some surfaces may increase when the chair is exposed to external heat source as sunlight



DISPOSING

This product and all its components can not be treated as household waste. For more detailed information on how recycle this product contact your local waste disposal service

1. WHEELCHAIR PRESENTATION

Thank you for choosing our product.

The aeronautical technology, used to manufacture all Neatech.it products, made possible to create rigid and foldable frame highly customizable and reliable.

Frame and canvas are available in different colors.

Features

- ***Aluminum alloy structure***

- ***Folding frame***

Opening and closing of the wheelchair are performed with a crossbar patented system

- ***Adjustable brake***

Brakes are adjustable according to wheel's diameter

- ***Removable footrest***

- ***Customizable colors***

WARNING: It is prohibited to use the wheelchair or its parts for any purpose other than that indicated; for a correct use please follow the instructions given in this manual. **NEATECH.IT disclaims any responsibility for damages caused by improper use of aids.**

2. STARTING UP

Checks to be made on delivery

- Check for the integrity of the original packaging

INSIDE THE BOX THERE IS

Wheelchair **Levia**

Footrest

Documentation

- Check for any anomalies on the shipping documents
- Check for the functionality and integrity of the device in all of its parts, at the time or immediately thereafter, to ensure that no damage is caused by a careless transport.
- Make sure the surface of the device is not damaged, scratched, bended, etc.
- Any fault or damage found must be immediately reported on the shipping documents and promptly communicated to the carrier. For any other questions, please contact the manufacturer.
- If you don't want to use the Levia for a long time, store it in a safe place free from dust and moisture.

2. STARTING UP

The wheelchair is shipped already assembled with closed frame. For the opening it will be sufficient to remove the sides of seat and apply a slight pressure on the handle placed on the element that joins the cruises as shown in Figure 1.

The wheelchair has reached the maximum opening when you can hear a snap.

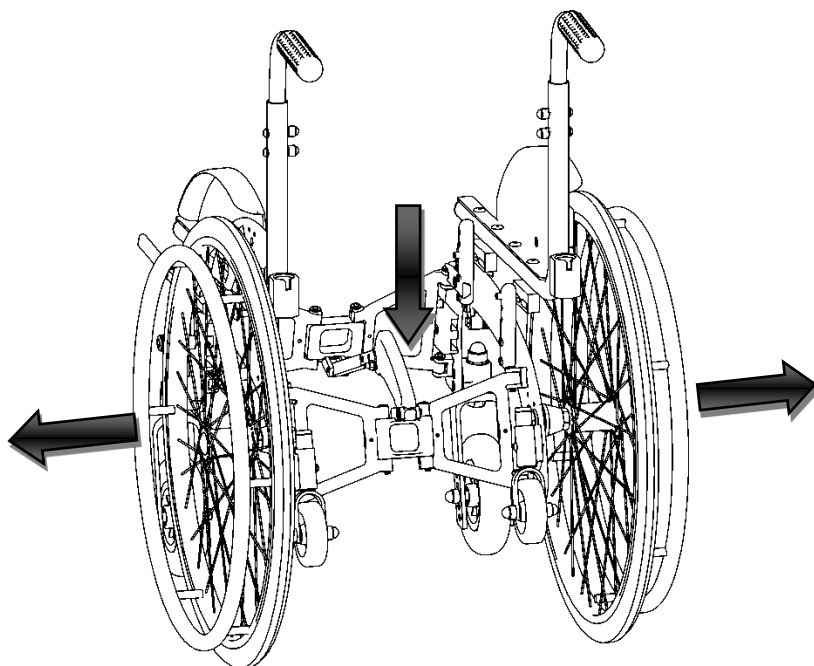


Figure 1

WARNING: A wrong grip of the handle can cause injury to hands

2. STARTING UP

Once opened the frame, you need to assemble the footrest. To mount the footrest introduce it in the appropriate housing as shown in Figure 2.

To remove the footrest unlock them by turning the lever (L) shown in Figure 2 and pull them.

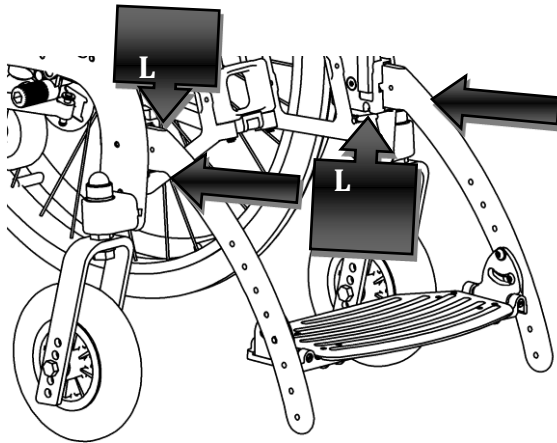


Figure 2



DISPOSAL OF PACKAGING

To correctly recycle the packaging materials of Levia please follow the instructions provided by the local waste disposal service.

2. STARTING UP

Checks to be made before use

Here are some checks to be made to safely use the wheelchair.

- **Frame check**
Check for the proper opening of the frame before each use of the chair

WEEK CHECKS

- **Pressure control**
If mounted wheels are pneumatic please verify that their pressure is equal to the value indicated on the tire.
- **Brake check**
Check that the brakes are working correctly.

MONTHLY CHECKS

- **Tighten screws of the frame**
Check the tightness of all screws of the frame.
For this operation please contact your supplier

2. STARTING UP

Use of the brake

To lock the brakes use the lever (L) shown in Figure 3. In this way the wheelchair is blocked against any involuntary movement.

Repeat this operation for both rear wheels.



WARNING

When operating the brake, act always on both the right lever and the left lever. The use of the wheelchair with only one locked wheel may result dangerous.

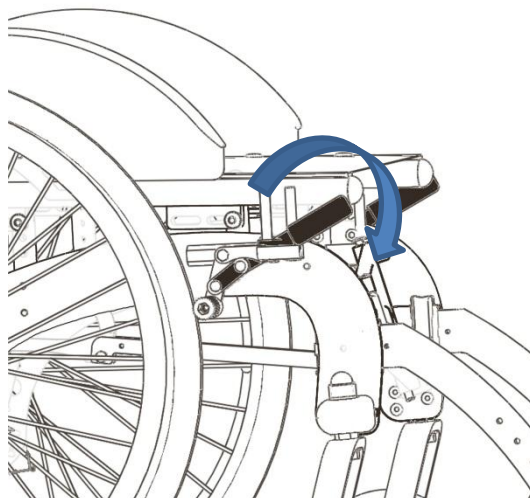


Figure 3

3. ADJUSTMENT

Seat depth

To adjust the seat position, unscrew the screw (V) shown in Figure 4. There are two screws on the right side of the wheelchair and two screws on the left side.

Then adjust as you want the position of the seat.

If necessary, remove screws and put them back in the adjacent slot (A) (see Figure 4).

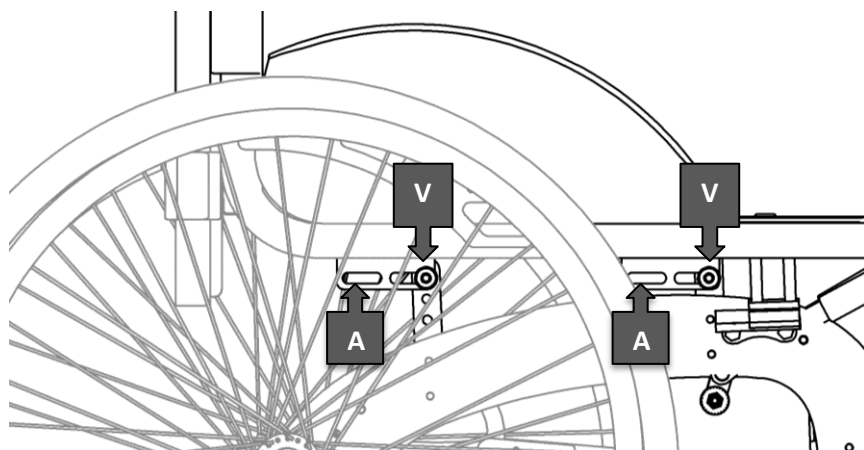


Figure 4

NOTE: for this operation use a 5 mm allen wrench.

3. ADJUSTMENT

Seat inclination

To adjust the inclination of the seat completely unscrew the screws (V) shown in Figure 5 and re-insert them in one of the holes (F) in order to obtain the desired angle.

The screws to be unscrewed are a total of 2: one on the right side and another on the left side of the wheelchair.

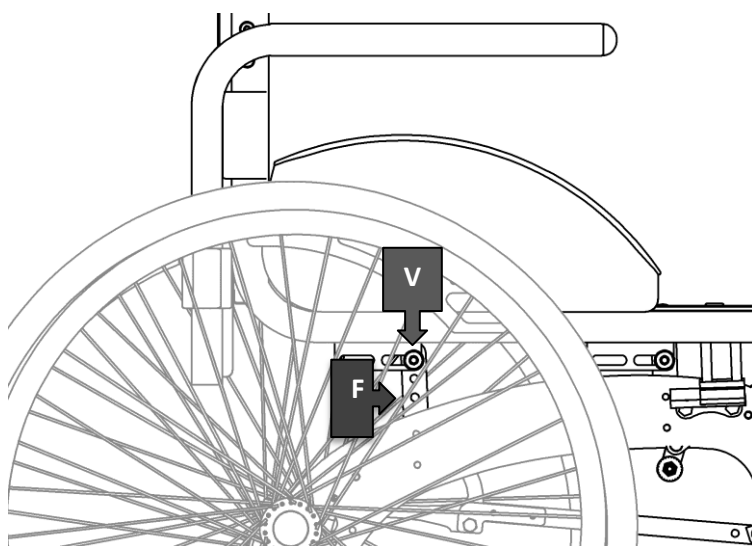


Figure 5



WARNING

When adjusting the inclination of the seat always set in a symmetrical manner the right side and the left side of the wheelchair

3. ADJUSTMENT

To obtain a steeper inclination it is necessary to change housing (A1 and/or A2) of the rear and/or front wheels as shown in Figure 6.

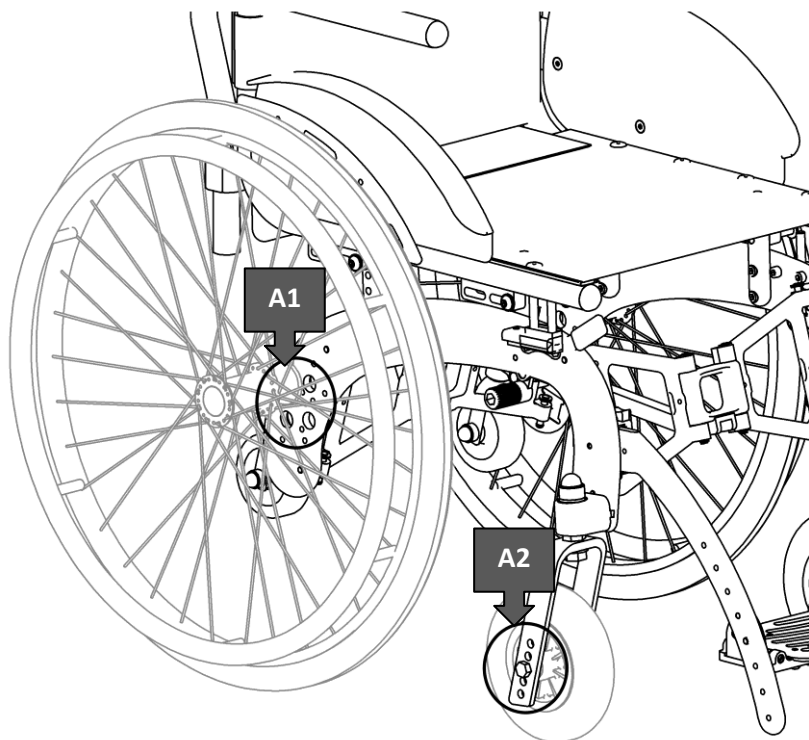


Figure 6

3. ADJUSTMENT

Footrest adjustment

The footrest can be adjusted as regards both the height and the inclination.

To adjust the height of the footrest, completely unscrew the screws (V) and position them in one of holes (F) (see Figure 7).

To adjust the inclination of the footrest loosen the screws (A) and incline the platform at will, then retighten the screws (A) (see Figure 7).

The operation must be performed on both sides of the wheelchair. If mounted footrests are splitted, adjustments in height and inclination on two sides can be performed independently.

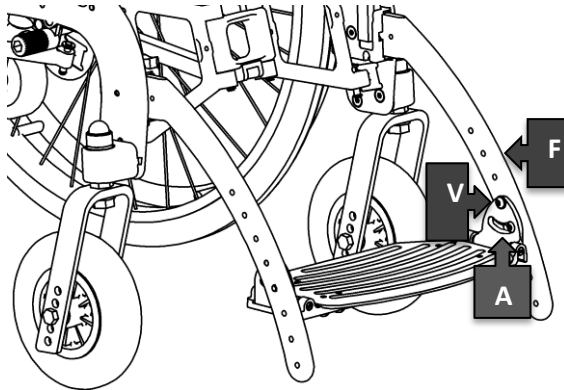


Figure 7

4. ACCESSORIES

The Levia can be equipped with a series of accessories that enhance the usability by the user.

Armrests

You can choose between two different types of armrests:

- Aluminum L armrest
- Foamed armrest

Rear wheels

The dimensions for rear wheels are: Ø300, 20", 22", 24"
You can have the transparent lenticular spoke guards.

Front wheels

The dimensions of front wheels are: Ø140 (polyurethane), Ø175 (polyurethane or pneumatic).

Antitip device

You can buy the Levia with antitip device. This will significantly reduce the risk of tipping especially on steep slopes.

4. ACCESSORIES

Castors for narrow passages

With these accessories, if you need, it is possible to succeed in moving in a smaller space.

Without using any tools you can simply disengage the wheels to overcome the narrow passage and then re-hook them.



Figure 8

Safety belt

The Levia has a predisposition for the mounting of a safety belt.

5. MAINTENANCE AND ASSISTANCE

Remember that the wheelchair is intended exclusively for the transport of seated people and should be used with footrests mounted. Here are some suggested precautions for a safe and long duration of the wheelchair.

- Avoid prolonged contact of the wheelchair with the water. It may determine oxidation of metal parts
- Don't sit on the armrests.
- Avoid long exposure of the wheelchair to sunlight.
- Don't expose the wheelchair at temperatures below -5°C and above $+40^{\circ}\text{C}$.
- Keep the pressure of wheels to recommended values. With flat tires the brake loses its effectiveness.
- Don't lift the wheelchair with a person by grabbing footrest. If you really need to do this, it is suggested to lift the wheelchair through the lateral sides.
- Don't carry the wheelchair on too steep slopes without anti-tip device.

5. MAINTENANCE AND ASSISTANCE

Maintenance and cleaning

Regular maintenance helps to preserve functionality and safety of the wheelchair. The lack or inadequacy of care and maintenance implies a limitation of the warranty from the manufacturer.

To clean the wheelchair don't use any device to spray water at high pressure. For plastic or metal parts use a soft cloth moistened with a non-aggressive detergent.

Don't use chemical cleaners, solvents, acids, etc.

Tires can be cleaned with water and detergent.

Serial number

For any report or assistance communicate the unique identification code that is on the frame of each Levia.

Spare part list

<ul style="list-style-type: none">• Front wheels	<ul style="list-style-type: none">• Armrests
<ul style="list-style-type: none">• Rear wheels	<ul style="list-style-type: none">• Bushing for driving wheel
<ul style="list-style-type: none">• Footrest.	<ul style="list-style-type: none">• Bearings
<ul style="list-style-type: none">• Backrest canvas	<ul style="list-style-type: none">• Front forks
<ul style="list-style-type: none">• Seat canvas	<ul style="list-style-type: none">• Side panels
<ul style="list-style-type: none">• Handles	

NOTE: for any other problem contact the manufacturer.

5. MAINTENANCE AND ASSISTANCE

Specifications

Maximum allowed mass	150 kg
Working temperature	da -10 °C a 40 °C
Intended use	The Levia is intended for all those groups of users that are limited to a sitting position and have the opportunity and the need to move in environments mostly internal.
Dimensions	width from 58 cm to 66 cm length 65 cm height 97 cm
Empty weight	13 kg
Maximum safety slope	21°

WARNING: The Levia can not be used as a seat in a motor vehicle.

5. MAINTENANCE AND ASSISTANCE

Warranty terms

The Levia is a product globally guaranteed for 24 months. The warranty covers defects in materials or workmanship. The warranty doesn't cover parts subject to usury or damaged parts by: overloads, misuse, alterations and repairs made by unauthorized third parties.

The warranty expires in case of tampering, improper storage, unauthorized or incorrect maintenance

MODEL:	Levia
SERIAL NUMBER:	
DATE OF CONSTRUCTION:	

USER MANUAL

LEVIA

NEATECH.IT

Our Mission is transfer technology and solution from the aerospace industry to disability sector.

We are proud to offer the highest quality products and solution on the market.



www.neatech.it